



URKUNDE

Es wird hiermit bescheinigt,
dass für die in der Patentschrift
beschriebene Erfindung ein
europäisches Patent für die in der
Patentschrift bezeichneten Ver-
tragsstaaten erteilt worden ist.

Europäisches Patent Nr.

CERTIFICATE

It is hereby certified that a
European patent has been granted
in respect of the invention
described in the patent specifica-
tion for the Contracting States
designated in the specification.

European patent No.

2551131

Patentinhaber

Proprietor of the patent

CERTIFICAT

Il est certifié qu'un brevet
européen a été délivré pour
l'invention décrite dans le
fascicule de brevet, pour les
Etats contractants désignés
dans le fascicule de brevet.

Brevet européen n°

Titulaire du brevet

Giuliano Group S.p.A.
Via Costituzione, 69
42015 Correggio (RE)/IT

Benoît Battistelli

Präsident des Europäischen Patentamts
President of the European Patent Office
Président de l'Office européen des brevets

München, den
Munich,
Fait à Munich, le

01.04.15



(11) **EP 2 551 131 B1**

(12) **EUROPEAN PATENT SPECIFICATION**

(45) Date of publication and mention of the grant of the patent:
01.04.2015 Bulletin 2015/14

(51) Int Cl.:
B60C 25/138 (2006.01) G01M 1/04 (2006.01)

(21) Application number: **12176999.6**

(22) Date of filing: **19.07.2012**

(54) **Device for locking rims of a vehicle on supporting means of a tyre servicing machine**

Vorrichtung zum Spannen von Radfelgen für Fahrzeuge auf Aufnahmen von Reifenwechselmaschinen

Dispositif pour verrouiller des jantes de roues pour des véhicules sur un support des machines de service de pneus

(84) Designated Contracting States:
AL AT BE BG CH CY CZ DE DK EE ES FI FR GB GR HR HU IE IS IT LI LT LU LV MC MK MT NL NO PL PT RO RS SE SI SK SM TR

(30) Priority: **26.07.2011 IT MO20110185**

(43) Date of publication of application:
30.01.2013 Bulletin 2013/05

(73) Proprietor: **Giuliano Group S.p.A.**
42015 Correggio (RE) (IT)

(72) Inventor: **Bonacini, Maurizio**
42015 Correggio (RE) (IT)

(74) Representative: **Brunacci, Marco et al**
BRUNACCI & PARTNERS S.r.l.
Via Scaglia Est, 19-31
41126 Modena (IT)

(56) References cited:
EP-A1- 2 218 591 DE-A1- 2 361 847
DE-A1- 3 641 295 DE-U1- 29 809 051
US-A- 5 615 574

EP 2 551 131 B1

Note: Within nine months of the publication of the mention of the grant of the European patent in the European Patent Bulletin, any person may give notice to the European Patent Office of opposition to that patent, in accordance with the Implementing Regulations. Notice of opposition shall not be deemed to have been filed until the opposition fee has been paid. (Art. 99(1) European Patent Convention).

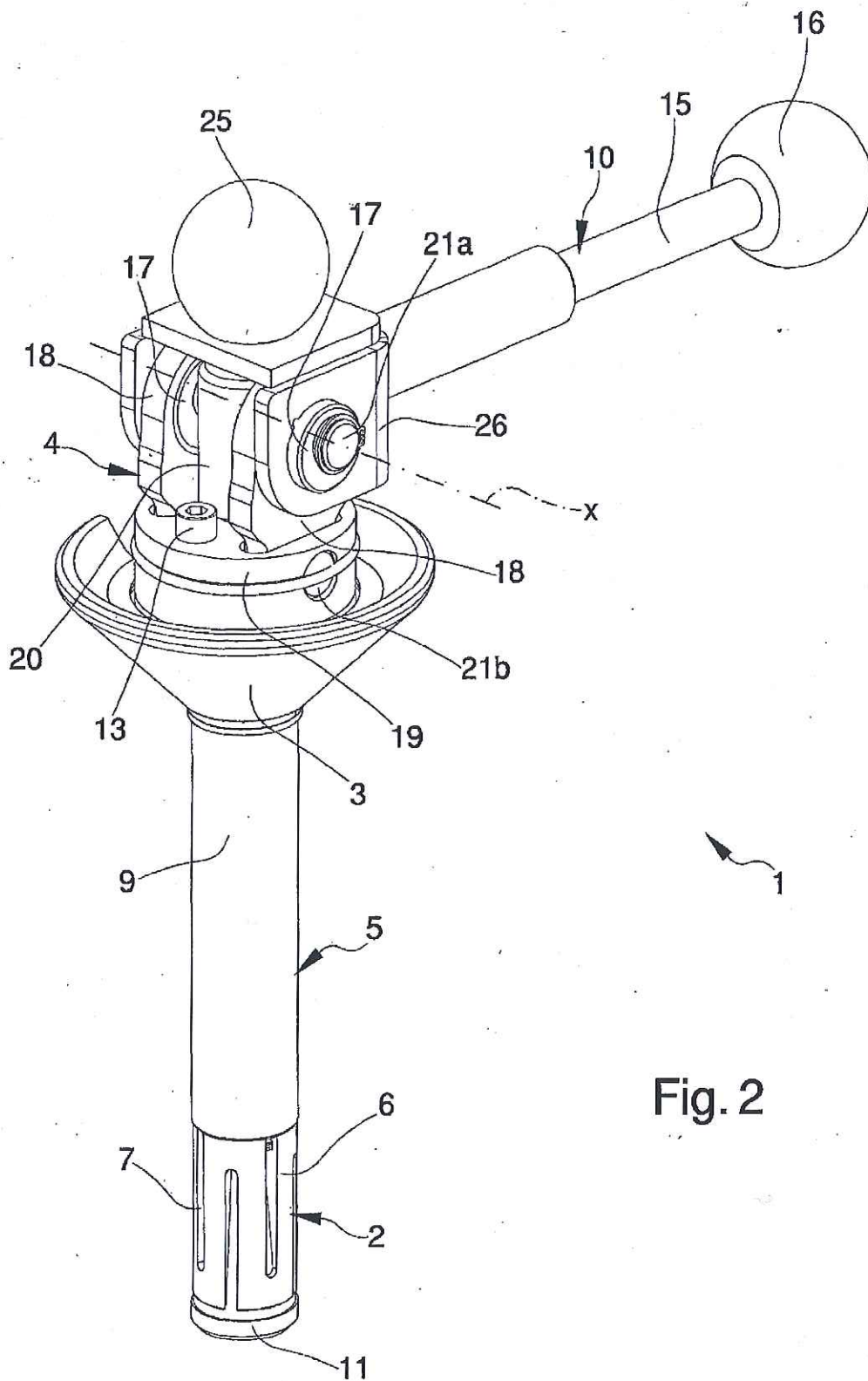


Fig. 2