



## URKUNDE

Es wird hiermit bescheinigt,  
dass für die in der Patentschrift  
beschriebene Erfindung ein  
europäisches Patent für die in der  
Patentschrift bezeichneten Ver-  
tragsstaaten erteilt worden ist.

Europäisches Patent Nr.

## CERTIFICATE

It is hereby certified that a  
European patent has been granted  
in respect of the invention  
described in the patent specifica-  
tion for the Contracting States  
designated in the specification.

European patent No.

**2338705**

Patentinhaber

Proprietor of the patent

## CERTIFICAT

Il est certifié qu'un brevet  
européen a été délivré pour  
l'invention décrite dans le  
fascicule de brevet, pour les  
Etats contractants désignés  
dans le fascicule de brevet.

Brevet européen n°

Titulaire du brevet

Giuliano Group S.p.A.  
Via Costituzione, 69  
42015 Correggio (RE)/IT

München, den  
Munich,  
Fait à Munich, le

10.10.12

**Benoît Battistelli**

Präsident des Europäischen Patentamts  
President of the European Patent Office  
Président de l'Office européen des brevets



(11) **EP 2 338 705 B1**

(12) **EUROPEAN PATENT SPECIFICATION**

(45) Date of publication and mention  
of the grant of the patent:  
10.10.2012 **Bulletin 2012/41**

(51) Int Cl.:  
**B60C 25/13 (2006.01)**

(21) Application number: **10194050.0**

(22) Date of filing: **07.12.2010**

(54) **Bead breaking unit for tyre changing machines**

Reifenwulstabdruckvorrichtung für Reifenwechselgeräte

Unité de démonte-talons pour machines de changement de pneus

(84) Designated Contracting States:  
**AL AT BE BG CH CY CZ DE DK EE ES FI FR GB  
GR HR HU IE IS IT LI LT LU LV MC MK MT NL NO  
PL PT RO RS SE SI SK SM TR**

(30) Priority: **16.12.2009 IT MO20090294**

(43) Date of publication of application:  
**29.06.2011 Bulletin 2011/26**

(73) Proprietor: **Giuliano Group S.p.A.  
42015 Correggio (RE) (IT)**

(72) Inventor: **Bonacini, Maurizio  
42015, Correggio (RE) (IT)**

(74) Representative: **Brunacci, Marco et al  
BRUNACCI & PARTNERS S.r.l.  
Via Scaglia Est, 19-31  
41126 Modena (IT)**

(56) References cited:  
**EP-A1- 1 524 134 WO-A1-2009/130135  
US-A- 5 226 465**

**EP 2 338 705 B1**

Note: Within nine months of the publication of the mention of the grant of the European patent in the European Patent Bulletin, any person may give notice to the European Patent Office of opposition to that patent, in accordance with the Implementing Regulations. Notice of opposition shall not be deemed to have been filed until the opposition fee has been paid. (Art. 99(1) European Patent Convention).

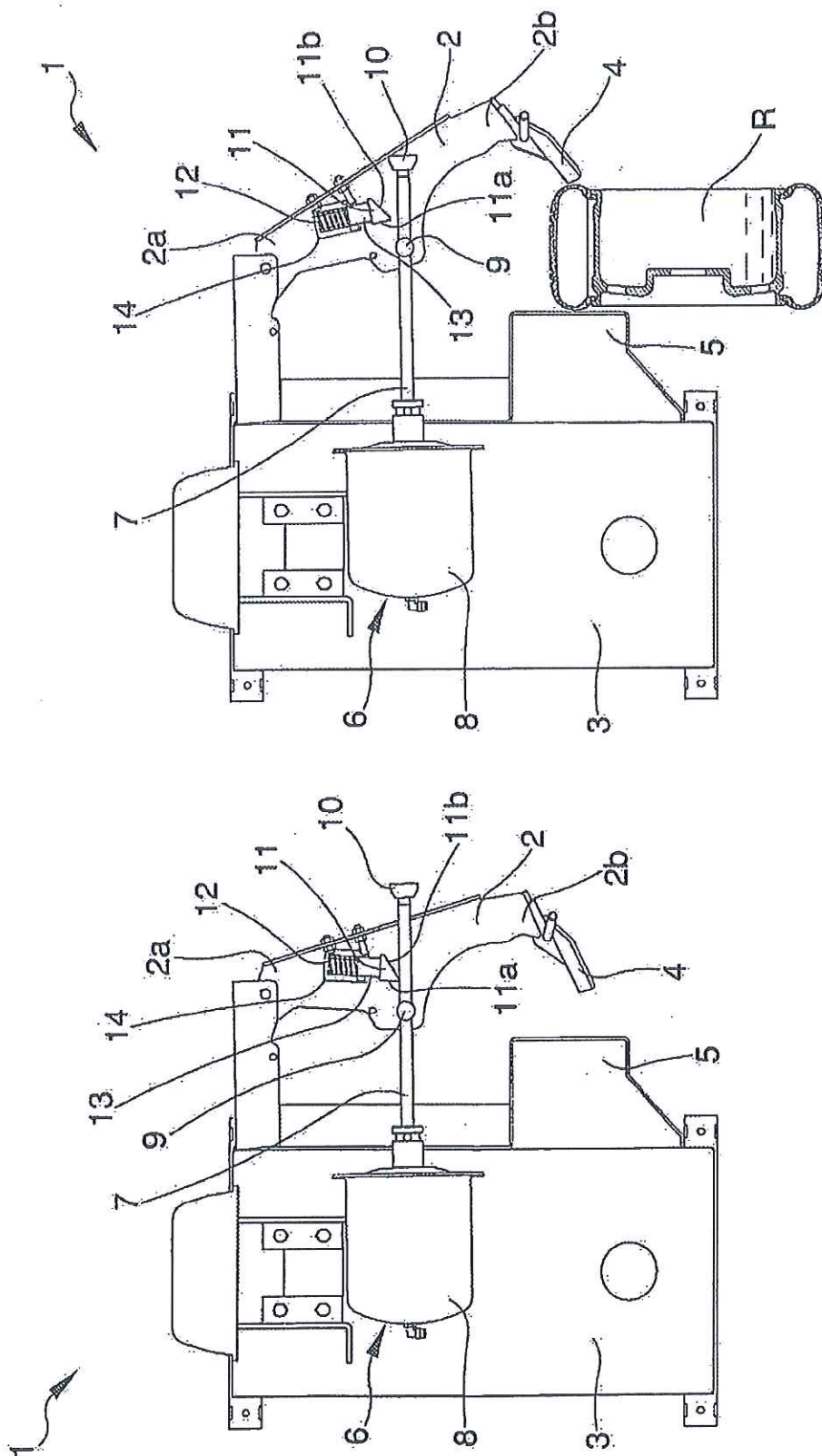


Fig. 1

Fig. 2